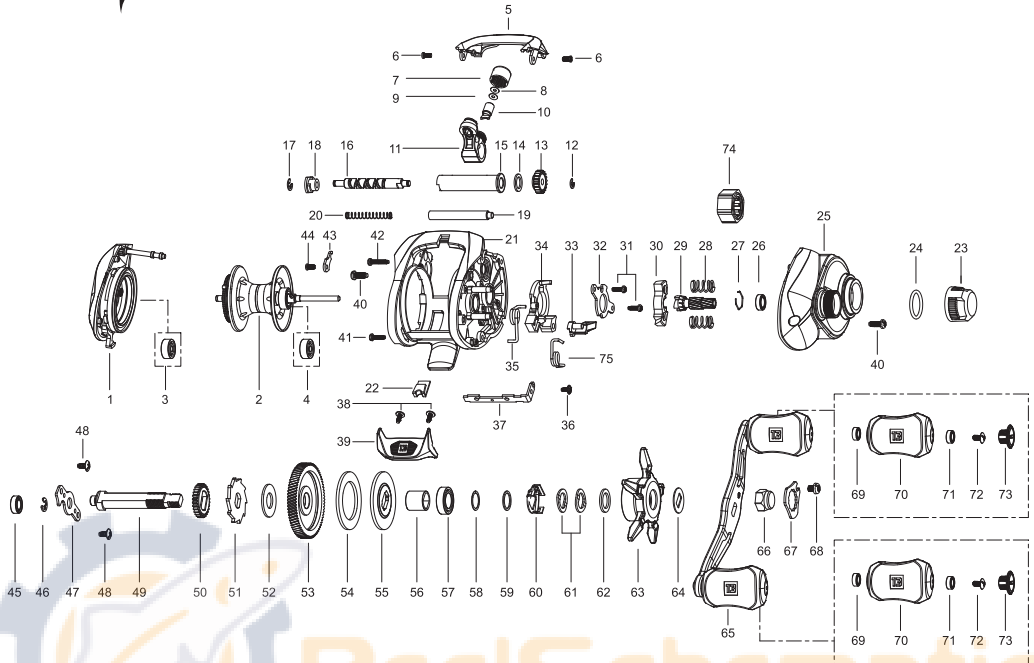




MODUS TX2 7.3:1 RH



Key No.	Part No.	Part Name
1	6KZ69612	PALM SIDE COVER UNIT
2	5K612502	SPOOL ASSEMBLY
3	6K474506	BALL BEARING
4	5K126105	BALL BEARING
5	5K541806	FRONT SUPPORT
6	6K963102	TAP SCREW
7	6K977114	NUT
8	6K148801	WASHER
9	6K148804	WASHER
10	6K256501	LEVEL WIND PIN
11	5K315502	LEVEL WIND ASSEMBLY
12	6B339801	RETAINER
13	6K469301	WORM PINION
14	6E096503	WASHER
15	6K456403	PIPE
16	5K095601	WORM SHAFT
17	6B339801	RETAINER
18	6K456801	BUSH
19	5K314401	PILLAR POST
20	5K314501	COIL SPRING
21	5K541508	FRAME
22	5K542101	HOOK KEEPER
23	5K543202	TENSION KNOB
24	6K904901	O-RING
25	5K626606	GEAR SIDE COVER ASSEMBLY
26	6K304004	BALL BEARING
27	6K170701	RING
28	5K382101	COIL SPRING
29	5K131101	PINION
30	5K093701	CLUTCH
31	6K053403	TAP SCREW
32	5K251502	CAM PLATE
33	5K250501	KICK LEVER
34	5K251301	CLUTCH CAM
35	5K093401	SPRING
36	5K047001	TAP SCREW
37	5K320501	CLUTCH LINK

Key No.	Part No.	Part Name
38	6K963104	TAP SCREW
39	5K542003	THUMB BAR
40	6K062706	TAP SCREW
41	6K053410	TAP SCREW
42	6K053405	TAP SCREW
43	5K314601	PLATE
44	6K963102	TAP SCREW
45	6K256901	BEARING
46	63201402	RETAINER
47	5K134901	BEARING PLATE
48	63535902	SCREW
49	5K320801	GEAR METAL
50	6K258101	GEAR
51	6K893601	RATCHET
52	6K174507	WASHER
53	5K131403	DRIVE GEAR
54	5K039901	WASHER
55	5K040001	WASHER
56	6K859203	BUSH
57	6K582205	BALL BEARING
58	6K177301	WASHER
59	6K177302	WASHER
60	6K259201	LEAF SPRING ASSEMBLY
61	5K027201	SPRING WASHER
62	6K193601	WASHER
63	5K542201	STAR DRAG
64	5K232001	WASHER
65	5K542706	HANDLE ASSEMBLY
66	TS6-17	NUT
67	TS7-17-X	HANDLE RETAINER
68	63520407	SCREW
69	5K440801	BUSH
70	TS9-MODC	HANDLE KNOB (SET OF 2)
71	6K626404	BALL BEARING
72	63511816	SCREW
73	5K337202	HANDLE KNOB CAP (SET OF 2)
74	5K242801	O/WAY CLUTCH ASSEMBLY
75	5K086701	SPRING